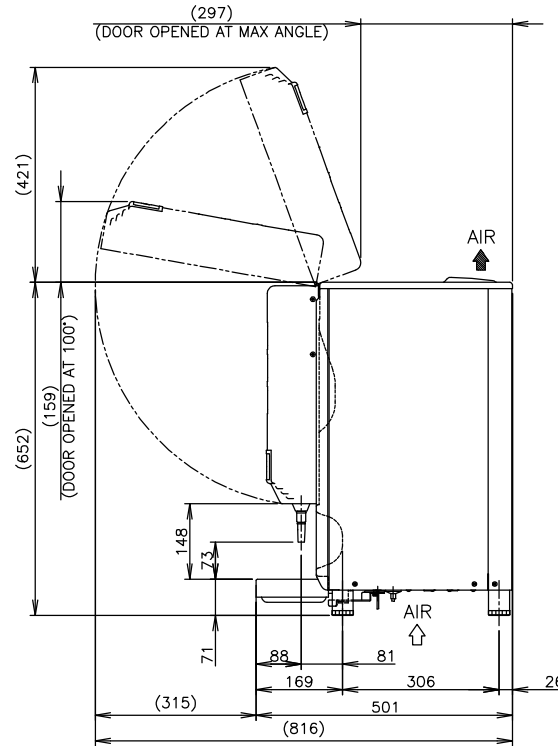
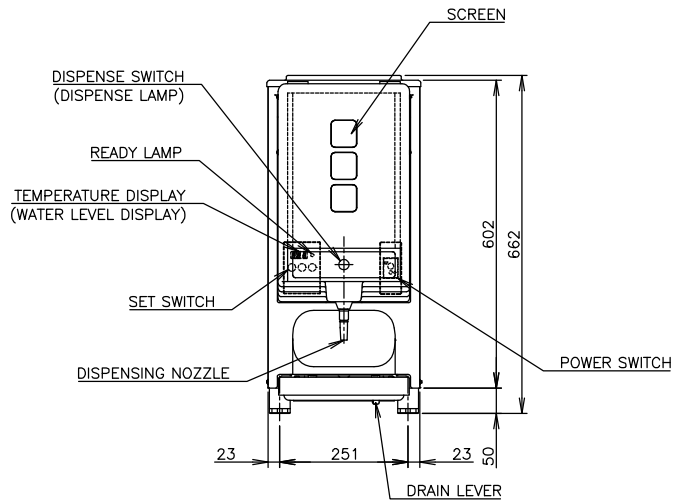


1. Install the product properly in accordance with the instructions on location, water supply/drain connections and electrical connections stated in the instruction manual provided. Allow 10mm extra space at the installation site to meet any installation requirements (additional spacing is also required for proper air flow and pipe connections).
 2. A water purifier, if used, must be installed within operating water pressure (primary water pressure) range of water purifier.
 3. If the water hardness exceeds 90ppm, installation of a water softener is recommended to prevent reduction in component service life.
 4. The tank water temperature setting is different from the dispensing temperature.
 5. The door stops to open at 100° or more and closes automatically at less than 100°.
 6. Product Code: W031-D011
- Note) This dispensing capacity is a test result under specific test conditions and may vary depending on use conditions.



ITEM	Hoshizaki Liquid Dispenser
MODEL	DL-1HTF
POWER SUPPLY	1 Phase 220V 50Hz Capacity: 1.2kVA (5.5A)
AMPERAGE	4.7A
ELECTRIC CONSUMPTION	1040W Heater: 1.0kW
POWER CORD	Approx 2.7m
HEATING TIME	Approx 110min (Water Volume 15L, Water Temp 10°C->93°C)
RECOVERY TIME	Approx 10min (until ready lamp lights up to dispense 8 cups) Approx 95min (until tank fills and water heats up)
Note) DISPENSING CAPACITY	Approx 80 cups at 6 cups/min (followed by recovery time) Approx 156 cups at 2 cups/min (followed by recovery time) Continuous at 70 sec/cup (Ambient Temp 25°C, Water Temp 10°C, Min Dispensing Temp 75°C, Hot Water Volume 150mL/cup, Hot Water Temp Setting 92°C - 90°C)
LIQUID CIRCUIT	1 Circuit
PREMIX STORAGE	Normal Temperature Storage
OUTSIDE DIMENSIONS	301mm (W) x 501mm (D) x 662 (- 677)mm (H)
EXTERIOR	Painted Steel (Cabinet), ABS/PC Plastic (Front Panel, Cover, Top Panel)
PREMIX DISPENSING SYSTEM	Suction Pump
WATER SUPPLY SYSTEM	Automatic Supply to Hot Water Tank (Water Valve), Direct Connection to Water Main, Inlet G1/2
DRAIN SYSTEM	Outlet R1/2
HEATER	Aluminum Cast Heater 1.0kW Thermistor
TEMPERATURE CONTROL	Tank Water Temp: Adjustable 82 - 92°C Off (1°C increments), Constant Differential (2K)
HOT WATER TANK CAPACITY	Approx 15L (Effective Capacity: Approx 12L, Min Water Level: Approx 3L)
DISPENSING CONTROL	Portion Control Premix: Timer Control [Setting Range 0 - 6.0 sec/(0.1 sec increments)] Hot Water: Timer Control [Setting Range 1.0 - 7.0 sec/(0.1 sec increments)]
LEVEL CONTROL	Hot Water Tank: 5-Step Display (F, H, C, L, E) Premix: Front Cover (Check Screen Provided)
ELECTRIC CIRCUIT PROTECTION	Overload Circuit Breaker (15A)
BOIL DRY PROTECTION	Float Switch, Heater Thermal Fuse (Operating Temp 182°C)
LEG	Plastic Adjustable 50 - 65mm
CERTIFICATION	Self-Certification as Water Supply Equipment
WEIGHT	23kg (Gross 26kg)
PACKAGE	Carton (Wooden Pallet) 370mm (W) x 550mm (D) x 820mm (H)
ACCESSORIES	Brush, Space O-Ring (2 types), Impeller x 2, Multi Tube x 2, POP Rail x 2, POP Cover, Maintenance Sheet, Joint Tap, Scale Guide, Elbow, Gasket, Reducer, Nut (H) - Joint, Screw x 3, Joint
OPERATING CONDITIONS	Ambient Temperature: 5 - 35°C, Voltage Range: Rated Voltage ±10% Water Supply Pressure: 0.05 - 0.78MPa (0.5 - 7.8bar) Premix: Premix for Dispenser (by specified manufacturer)

*We reserve the right to make changes in specifications and design without prior notice.

HOSHIZAKI LIQUID DISPENSER DL-1HTF (CUSTOMIZED)

APPROVED KUROYANAGI	CHECKED HIRANO	DESIGNED YANAGIDA	DRAWN UEDA	SCALE 1/10	TRIGONOMETRY
*	*	△	****	DATE 2018.05.01	DRAWING NO. D22544
APPROVED	DESIGNED	SYMBOL	DATE		SYMBOL △